

KHP-VF7SD INOX | INOX FREEZER

SKU: 22444

ADDITIONAL INFORMATION

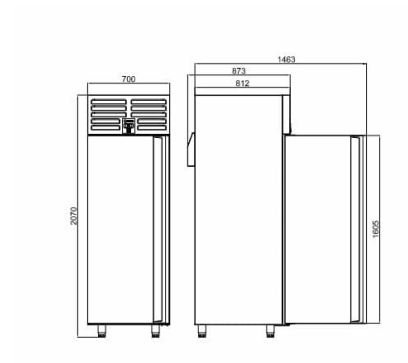
Weight	134 kg
Dimensions	880 × 780 × 2250 mm
Brand	KHORIS PREMIUM
Megnevezés	
External size (Wi)	700
External size (De)	870
External size (Hi)	2100
Net volume (l)	550
Net weight (kg)	124
Refrigeration range (°C)	
Power (W)	733
Energy consumption (kW/24h)	8,81
Voltage (V/Hz)	230/50
Noise (dB(A))	65
Internal size (Wi)	580
Internal size (De)	676
Internal size (He)	1500
Packaging dimension (Wi)	780
Packaging dimension (De)	880
Packaging dimension (He)	2250
Gross weight (kg)	134
Gross capacity (l)	610
Energy class	D
Refrigerant type	R290
Max. temperature and humidity (°C/%)	

Climate class	4
Type of cooling	dynamic
Number of shelves/basket	3
Maximum shelf capacity (kg)	25
Size of the shelf/basket size (mm)	640 x 530
Lock	optional
Type&number of doors	1 teliajtó
Feet, wheels	állítható
Casing colour (exterior/interior)	stainless steel / stainless steel
Automatic defrost	
Temperature controller type	





GALLERY IMAGES



PRODUCT DESCRIPTION

Glass door freezer with 3 shelves, dynamic cooling, electronic thermostat, digital control panel.

Freezer made of stainless steel, with polyurethane insulation. Equal temperature distribution. Polyurethane insulation. Ergonomic door and handle designed for easy opening and cleaning. Icecool refrigeration system designed to be energy efficient. Equipped with hot gas defrosting system and waste heat recovery condensate-vaporiser system. The cooling data provided is valid in case of 67% humidity and 43°C ambient temperature.

ADDITIONAL INFORMATION

Weight	134 kg
Dimensions	880 × 780 × 2250 mm
Brand	KHORIS PREMIUM
Megnevezés	
External size (Wi)	700
External size (De)	870
External size (Hi)	2100
Net volume (l)	550
Net weight (kg)	124
Refrigeration range (°C)	
Power (W)	733
Energy consumption (kW/24h)	8,81
Voltage (V/Hz)	230/50
Noise (dB(A))	65
Internal size (Wi)	580
Internal size (De)	676
Internal size (He)	1500
Packaging dimension (Wi)	780
Packaging dimension (De)	880
Packaging dimension (He)	2250
Gross weight (kg)	134
Gross capacity (l)	610
Energy class	D
Refrigerant type	R290
Max. temperature and humidity (°C/%)	
Climate class	4

Type of cooling	dynamic
Number of shelves/basket	3
Maximum shelf capacity (kg)	25
Size of the shelf/basket size (mm)	640 x 530
Lock	optional
Type&number of doors	1 teliajtó
Feet, wheels	állítható
Casing colour (exterior/interior)	stainless steel / stainless steel
Automatic defrost	
Temperature controller type	

