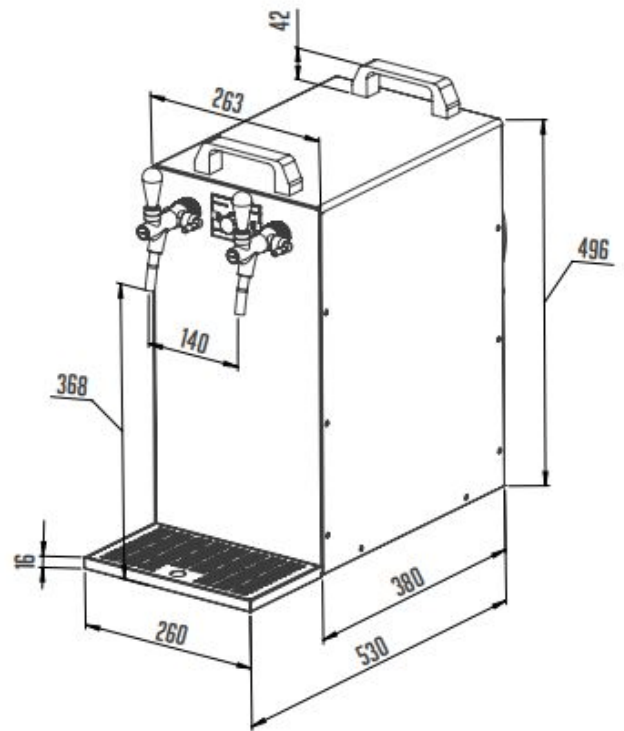


KONTAKT 155/K Green Line | Száraz hűtésű, kétkörös sörcsapoló beép. légkomp.

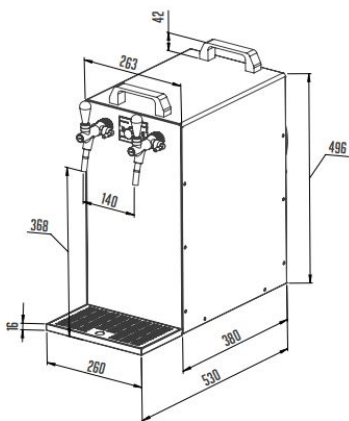
SKU: 8826

ADDITIONAL INFORMATION

| | |
|--|-------------------------|
| Weight | 44 kg |
| Dimensions | 490 × 340 × 600 mm |
| Packaging dimension (Wi) | 340 |
| Packaging dimension (De) | 490 |
| Packaging dimension (He) | 600 |
| External size (Wi) | 265 |
| External size (De) | 380 |
| External size (Hi) | 495 |
| Gross weight (kg) | 44 |
| Voltage (V/Hz) | 230/50 |
| Power (W) | 966 |
| Refrigeration range (°C) | +2...+8 |
| Refrigerant type | R290 |
| Climate class | N |
| Peak performance (l/h) | 160 |
| Cooling power (l/h) | 120 |
| Termikus gradiens ΔT(°C) | 10 |
| Number of spirals | 2 |
| Lenght of coils (m) | 26/26 |
| Diameter of coil (mm) | 8×0,5 |
| Compressor capacity (Hp) | 04.márc |
| Net weight (kg) | 42 |



GALLERY IMAGES





PRODUCT DESCRIPTION

The beer cooler is equipped with stainless steel outside, 2 beer taps, adjustable temperature control with 7 different settings, drip tray and built-in air compressor. Chilled beer will be ready within 5-8 minutes after the cooler has been switched on. Green Line - made of fully recyclable materials, without any polyurethane insulation, 20% less energy consumption The KEG-head, CO2 reductor are optionals.

ADDITIONAL INFORMATION

| | |
|--|-------------------------|
| Weight | 44 kg |
| Dimensions | 490 × 340 × 600 mm |
| Packaging dimension (Wi) | 340 |
| Packaging dimension (De) | 490 |
| Packaging dimension (He) | 600 |
| External size (Wi) | 265 |
| External size (De) | 380 |
| External size (Hi) | 495 |
| Gross weight (kg) | 44 |
| Voltage (V/Hz) | 230/50 |
| Power (W) | 966 |
| Refrigeration range (°C) | +2...+8 |
| Refrigerant type | R290 |
| Climate class | N |
| Peak performance (l/h) | 160 |
| Cooling power (l/h) | 120 |
| Termikus gradiens ΔT(°C) | 10 |
| Number of spirals | 2 |
| Lenght of coils (m) | 26/26 |
| Diameter of coil (mm) | 8×0,5 |
| Compressor capacity (Hp) | 04.márc |
| Net weight (kg) | 42 |

