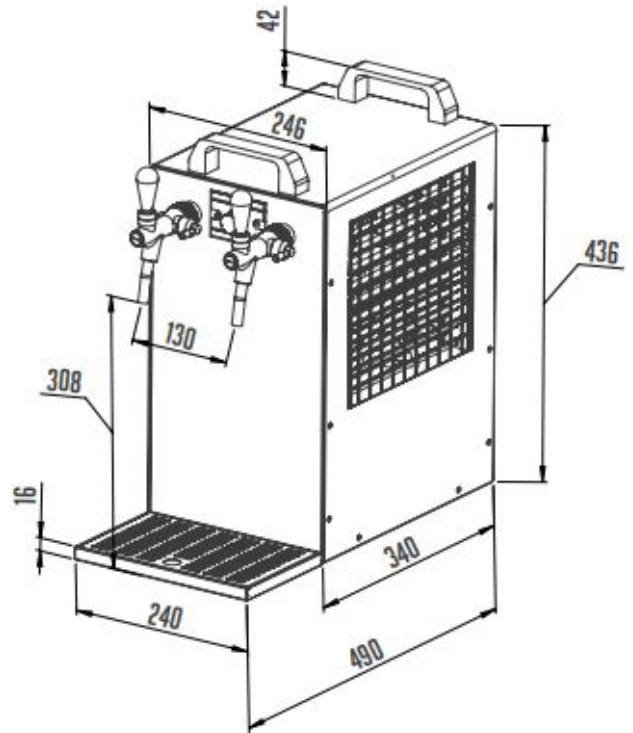


KONTAKT 70 Green Line | Száraz hűtésű, kétkörös sörcsapoló (CO2)

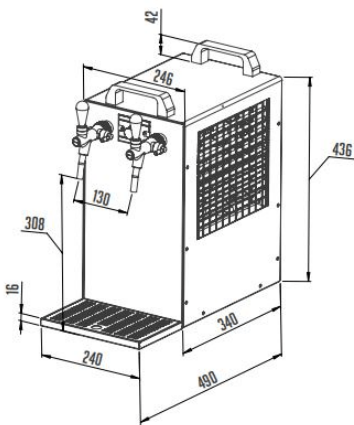
SKU: 5865

ADDITIONAL INFORMATION

Weight	28,5 kg
Dimensions	460 × 330 × 530 mm
Packaging dimension (Wi)	330
Packaging dimension (De)	460
Packaging dimension (He)	530
External size (Wi)	245
External size (De)	340
External size (Hi)	440
Gross weight (kg)	285
Voltage (V/Hz)	230/50
Power (W)	506
Refrigeration range (°C)	+2...+8
Refrigerant type	R290
Climate class	N
Hűtőrendszer típusa	száraz
Peak performance (l/h)	90
Cooling power (l/h)	70
Termikus gradiens ΔT(°C)	10
Number of spirals	2
Lenght of coils (m)	14/14
Diameter of coil (mm)	8×0,5
Compressor capacity (Hp)	03.jan
Net weight (kg)	275



GALLERY IMAGES





PRODUCT DESCRIPTION

The beer cooler is equipped with stainless steel outside, 2 beer taps, adjustable temperature control with 7 different settings and drip tray. Chilled beer will be ready within 5-10 minutes after the cooler has been switched on. The KEG-head, CO2 reductor are optionals.

ADDITIONAL INFORMATION

Weight	28,5 kg
Dimensions	460 × 330 × 530 mm
Packaging dimension (Wi)	330
Packaging dimension (De)	460
Packaging dimension (He)	530
External size (Wi)	245
External size (De)	340
External size (Hi)	440
Gross weight (kg)	285
Voltage (V/Hz)	230/50
Power (W)	506
Refrigeration range (°C)	+2...+8
Refrigerant type	R290
Climate class	N
Hűtőrendszer típusa	száráz
Peak performance (l/h)	90
Cooling power (l/h)	70
Termikus gradiens ΔT(°C)	10
Number of spirals	2
Lenght of coils (m)	14/14
Diameter of coil (mm)	8×0,5
Compressor capacity (Hp)	03.jan
Net weight (kg)	275

