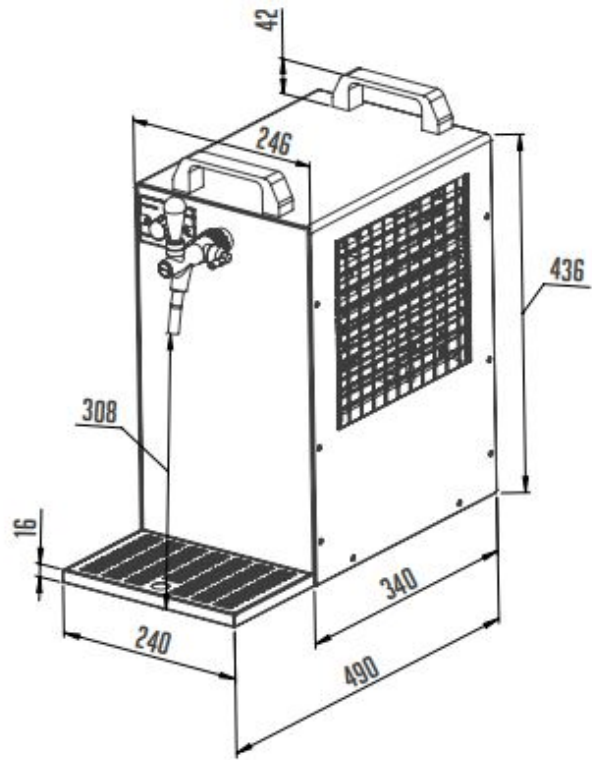


KONTAKT 70/K Green Line | Száraz hűtésű, egykörös sörccsapoló beép. légkomp.

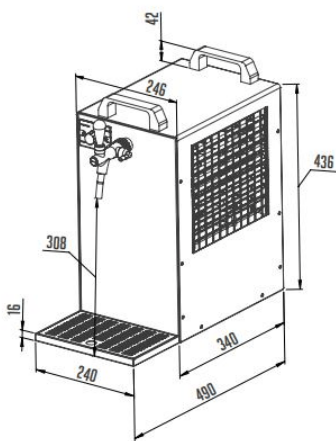
**SKU:** 9679

### **ADDITIONAL INFORMATION**

<b>Weight</b>	30 kg
<b>Dimensions</b>	460 × 330 × 530 mm
<b>Packaging dimension (Wi)</b>	<a href="#">330</a>
<b>Packaging dimension (De)</b>	<a href="#">460</a>
<b>Packaging dimension (He)</b>	<a href="#">530</a>
<b>External size (Wi)</b>	<a href="#">245</a>
<b>External size (De)</b>	<a href="#">340</a>
<b>External size (Hi)</b>	<a href="#">440</a>
<b>Gross weight (kg)</b>	<a href="#">30</a>
<b>Voltage (V/Hz)</b>	<a href="#">230/50</a>
<b>Power (W)</b>	<a href="#">598</a>
<b>Refrigeration range (°C)</b>	<a href="#">+2...+8</a>
<b>Refrigerant type</b>	<a href="#">R290</a>
<b>Climate class</b>	<a href="#">N</a>
<b>Hűtőrendszer típusa</b>	<a href="#">száraz</a>
<b>Peak performance (l/h)</b>	<a href="#">90</a>
<b>Cooling power (l/h)</b>	<a href="#">70</a>
<b>Termikus gradiens <math>\Delta T</math>(°C)</b>	<a href="#">10</a>
<b>Number of taps</b>	<a href="#">1</a>
<b>Number of spirals</b>	<a href="#">1</a>
<b>Lenght of coils (m)</b>	<a href="#">28</a>
<b>Diameter of coil (mm)</b>	<a href="#">8×0,5</a>
<b>Compressor capacity (Hp)</b>	<a href="#">03.jan</a>
<b>Net weight (kg)</b>	<a href="#">28,5</a>



## GALLERY IMAGES



MODEL	COOLING CAPACITY	AIR COMPRESSOR	NUMBER OF COOLED BEVERAGES	NET WEIGHT
KONTRAKT.70/K GL 1x Tap	90 L/ HOUR	YES	1	28,5

## **PRODUCT DESCRIPTION**

The KONTAKT 70/ K is a professional cooling unit designed for dispensing excellent chilled beer as a mobile bar, ideal for professional/ commercial purposes and busy events. This cooler is equipped with a completely unique high quality system with a quiet inbuilt compressor comprising a damper and molecule suction air filter. This cooler has a continuous cooling performance of 60-80 l/ h., max. 90 l/ h. The modern compressor cooling unit uses the power input for direct transfer to chilling, which guarantees minimum energy usage. The best chilled beer will be ready in the thermo block within 5-10 minutes after the cooler has been switched on. The cooling technology is 45% more efficient than its power input. The complete external construction is made from stainless steel to give a more clean and aesthetic look. The materials used meet the highest requirements for hygiene standards and guarantee a long working life of this cooler. This machine comes with a stainless steel drip tray and an adjustable temperature control with 7 different settings. Two grab handles on top of the machine enables easier manipulation. KONTAKT coolers have been recognised by experts as the beer coolers with the best ratio of price/ performance/ quality/ dimension.

## ADDITIONAL INFORMATION

<b>Weight</b>	30 kg
<b>Dimensions</b>	460 × 330 × 530 mm
<b>Packaging dimension (Wi)</b>	<a href="#">330</a>
<b>Packaging dimension (De)</b>	<a href="#">460</a>
<b>Packaging dimension (He)</b>	<a href="#">530</a>
<b>External size (Wi)</b>	<a href="#">245</a>
<b>External size (De)</b>	<a href="#">340</a>
<b>External size (Hi)</b>	<a href="#">440</a>
<b>Gross weight (kg)</b>	<a href="#">30</a>
<b>Voltage (V/Hz)</b>	<a href="#">230/50</a>
<b>Power (W)</b>	<a href="#">598</a>
<b>Refrigeration range (°C)</b>	<a href="#">+2...+8</a>
<b>Refrigerant type</b>	<a href="#">R290</a>
<b>Climate class</b>	<a href="#">N</a>
<b>Hűtőrendszer típusa</b>	<a href="#">száráz</a>
<b>Peak performance (l/h)</b>	<a href="#">90</a>
<b>Cooling power (l/h)</b>	<a href="#">70</a>
<b>Termikus gradiens <math>\Delta T</math>(°C)</b>	<a href="#">10</a>
<b>Number of taps</b>	<a href="#">1</a>
<b>Number of spirals</b>	<a href="#">1</a>
<b>Lenght of coils (m)</b>	<a href="#">28</a>
<b>Diameter of coil (mm)</b>	<a href="#">8×0,5</a>
<b>Compressor capacity (Hp)</b>	<a href="#">03.jan</a>
<b>Net weight (kg)</b>	<a href="#">28,5</a>



