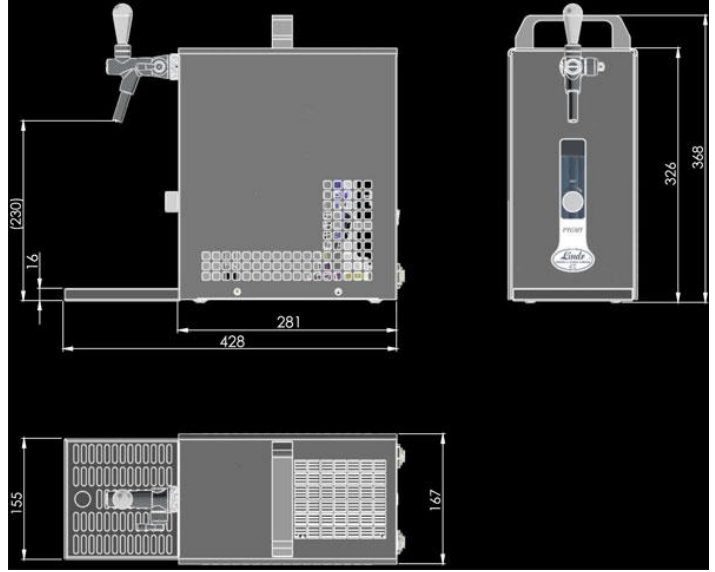


PYGMY 20/K Green Line new | Száraz hűtésű, egykörös sörcsapoló beép. légkomp.

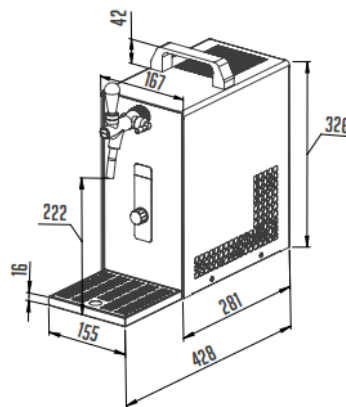
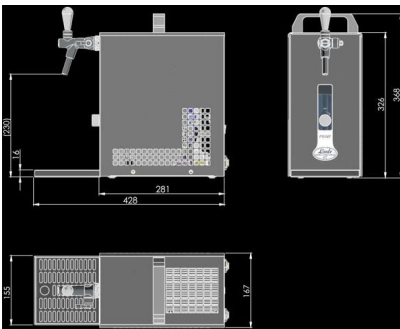
**SKU:** 6554

### **ADDITIONAL INFORMATION**

<b>Weight</b>	18 kg
<b>Dimensions</b>	400 × 280 × 430 mm
<b>Packaging dimension (Wi)</b>	<a href="#">280</a>
<b>Packaging dimension (De)</b>	<a href="#">400</a>
<b>Packaging dimension (He)</b>	<a href="#">430</a>
<b>External size (Wi)</b>	<a href="#">185</a>
<b>External size (De)</b>	<a href="#">315</a>
<b>External size (Hi)</b>	<a href="#">325</a>
<b>Gross weight (kg)</b>	<a href="#">18</a>
<b>Voltage (V/Hz)</b>	<a href="#">230/50</a>
<b>Power (W)</b>	<a href="#">322</a>
<b>Refrigeration range (°C)</b>	<a href="#">+2...+8</a>
<b>Refrigerant type</b>	<a href="#">R290</a>
<b>Climate class</b>	<a href="#">N</a>
<b>Hűtőrendszer típusa</b>	<a href="#">száraz</a>
<b>Peak performance (l/h)</b>	<a href="#">25</a>
<b>Cooling power (l/h)</b>	<a href="#">20</a>
<b>Termikus gradiens <math>\Delta T</math>(°C)</b>	<a href="#">10</a>
<b>Number of taps</b>	<a href="#">1</a>
<b>Number of spirals</b>	<a href="#">1</a>
<b>Lenght of coils (m)</b>	<a href="#">10,5</a>
<b>Diameter of coil (mm)</b>	<a href="#">8×0,5</a>
<b>Compressor capacity (Hp)</b>	<a href="#">08.jan</a>
<b>Net weight (kg)</b>	<a href="#">16,5</a>



## GALLERY IMAGES



MODEL	COOLING CAPACITY	AIR COMPRESSOR	NUMBER OF COOLED BEVERAGES	NET WEIGHT
PYGMY 20 GL	25 L/ HOUR	NO	1	13,5
PYGMY 20/K GL	25 L/ HOUR	YES	1	15,5
PYGMY 25 GL	35 L/ HOUR	NO	1	14,5
PYGMY 25/K GL	35 L/ HOUR	YES	1	16,5

## ADDITIONAL INFORMATION

**Weight**

18 kg

<b>Dimensions</b>	400 × 280 × 430 mm
<b>Packaging dimension (Wi)</b>	<a href="#">280</a>
<b>Packaging dimension (De)</b>	<a href="#">400</a>
<b>Packaging dimension (He)</b>	<a href="#">430</a>
<b>External size (Wi)</b>	<a href="#">185</a>
<b>External size (De)</b>	<a href="#">315</a>
<b>External size (Hi)</b>	<a href="#">325</a>
<b>Gross weight (kg)</b>	<a href="#">18</a>
<b>Voltage (V/Hz)</b>	<a href="#">230/50</a>
<b>Power (W)</b>	<a href="#">322</a>
<b>Refrigeration range (°C)</b>	<a href="#">+2...+8</a>
<b>Refrigerant type</b>	<a href="#">R290</a>
<b>Climate class</b>	<a href="#">N</a>
<b>Hűtőrendszer típusa</b>	<a href="#">száraz</a>
<b>Peak performance (I/h)</b>	<a href="#">25</a>
<b>Cooling power (I/h)</b>	<a href="#">20</a>
<b>Termikus gradiens ΔT(°C)</b>	<a href="#">10</a>
<b>Number of taps</b>	<a href="#">1</a>
<b>Number of spirals</b>	<a href="#">1</a>
<b>Length of coils (m)</b>	<a href="#">10,5</a>
<b>Diameter of coil (mm)</b>	<a href="#">8×0,5</a>
<b>Compressor capacity (Hp)</b>	<a href="#">08.jan</a>
<b>Net weight (kg)</b>	<a href="#">16,5</a>



