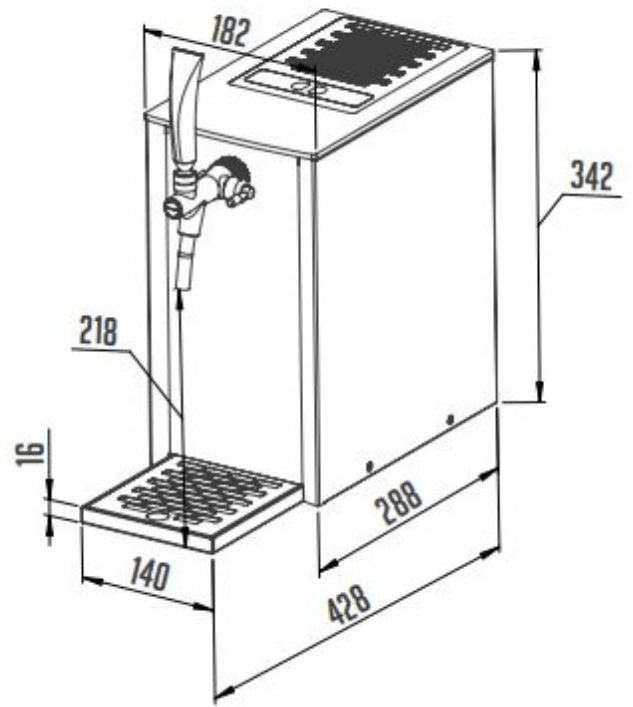


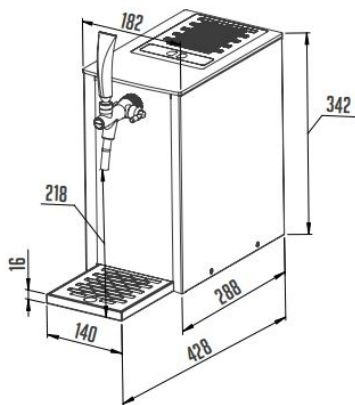
PYGMY 25/K Exclusive Green Line new | Száraz hűtésű, egykörös sör csapoló beép. légkomp.
SKU: 9664

ADDITIONAL INFORMATION

Weight	20,5 kg
Dimensions	420 × 280 × 520 mm
Packaging dimension (Wi)	280
Packaging dimension (De)	420
Packaging dimension (He)	520
External size (Wi)	185
External size (De)	335
External size (Hi)	380
Gross weight (kg)	20,5
Voltage (V/Hz)	230/50
Power (W)	345
Refrigeration range (°C)	+2...+8
Refrigerant type	R290
Climate class	N
Hűtőrendszer típusa	száraz
Peak performance (l/h)	35
Cooling power (l/h)	25
Termikus gradiens ΔT(°C)	10
Number of taps	1
Number of spirals	1
Lenght of coils (m)	13,5
Diameter of coil (mm)	8×0,5
Compressor capacity (Hp)	08.jan
Net weight (kg)	19



GALLERY IMAGES



MODEL	COOLING CAPACITY	AIR COMPRESSOR	NUMBER OF COOLED BEVERAGES	NET WEIGHT
PYGMY 25/1K EXCLUSIVE 1x Tap	30 L/ HOUR	YES	1	16,5



ADDITIONAL INFORMATION

Weight	20,5 kg
Dimensions	420 × 280 × 520 mm
Packaging dimension (Wi)	280
Packaging dimension (De)	420
Packaging dimension (He)	520
External size (Wi)	185
External size (De)	335
External size (Hi)	380
Gross weight (kg)	20,5

Voltage (V/Hz)	230/50
Power (W)	345
Refrigeration range (°C)	+2...+8
Refrigerant type	R290
Climate class	N
Hűtőrendszer típusa	szárász
Peak performance (l/h)	35
Cooling power (l/h)	25
Termikus gradiens $\Delta T(^{\circ}C)$	10
Number of taps	1
Number of spirals	1
Lenght of coils (m)	13,5
Diameter of coil (mm)	8x0,5
Compressor capacity (Hp)	08.jan
Net weight (kg)	19

