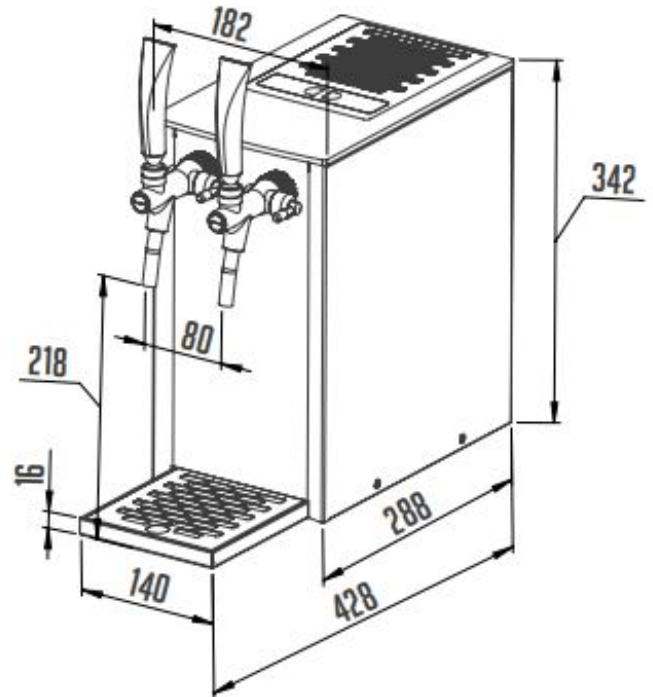


PYGMY 25/K Exclusive Green Line | Száraz hűtésű, kétkörös sör csapoló beép. légkomp.

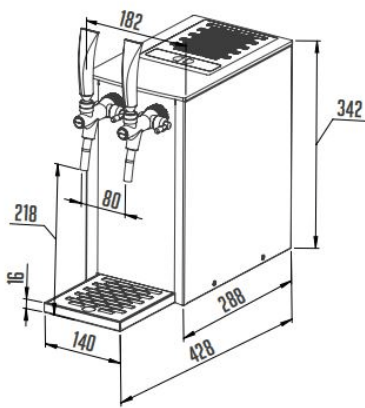
**SKU:** 9665

### **ADDITIONAL INFORMATION**

<b>Weight</b>	21,2 kg
<b>Dimensions</b>	420 × 280 × 520 mm
<b>Packaging dimension (Wi)</b>	<a href="#">280</a>
<b>Packaging dimension (De)</b>	<a href="#">420</a>
<b>Packaging dimension (He)</b>	<a href="#">520</a>
<b>External size (Wi)</b>	<a href="#">185</a>
<b>External size (De)</b>	<a href="#">335</a>
<b>External size (Hi)</b>	<a href="#">380</a>
<b>Gross weight (kg)</b>	<a href="#">21,2</a>
<b>Voltage (V/Hz)</b>	<a href="#">230/50</a>
<b>Power (W)</b>	<a href="#">345</a>
<b>Refrigeration range (°C)</b>	<a href="#">+2...+8</a>
<b>Refrigerant type</b>	<a href="#">R290</a>
<b>Climate class</b>	<a href="#">N</a>
<b>Hűtőrendszer típusa</b>	<a href="#">száraz</a>
<b>Peak performance (l/h)</b>	<a href="#">35</a>
<b>Cooling power (l/h)</b>	<a href="#">25</a>
<b>Termikus gradiens <math>\Delta T</math>(°C)</b>	<a href="#">10</a>
<b>Number of taps</b>	<a href="#">2</a>
<b>Number of spirals</b>	<a href="#">2</a>
<b>Lenght of coils (m)</b>	<a href="#">09.szept</a>
<b>Diameter of coil (mm)</b>	<a href="#">8×0,5</a>
<b>Compressor capacity (Hp)</b>	<a href="#">08.jan</a>
<b>Net weight (kg)</b>	<a href="#">20</a>



**GALLERY IMAGES**



MODEL	COOLING CAPACITY	AIR COMPRESSOR	NUMBER OF COOLED BEVERAGES	NET WEIGHT
PGMY 25/K EXCLUSIVE 2x Tap	30 L/HOUR	YES	2	17,5



## ADDITIONAL INFORMATION

<b>Weight</b>	21,2 kg
<b>Dimensions</b>	420 × 280 × 520 mm
<b>Packaging dimension (Wi)</b>	<a href="#">280</a>
<b>Packaging dimension (De)</b>	<a href="#">420</a>
<b>Packaging dimension (He)</b>	<a href="#">520</a>
<b>External size (Wi)</b>	<a href="#">185</a>
<b>External size (De)</b>	<a href="#">335</a>
<b>External size (Hi)</b>	<a href="#">380</a>
<b>Gross weight (kg)</b>	<a href="#">21,2</a>
<b>Voltage (V/Hz)</b>	<a href="#">230/50</a>
<b>Power (W)</b>	<a href="#">345</a>
<b>Refrigeration range (°C)</b>	<a href="#">+2...+8</a>

<b>Refrigerant type</b>	<a href="#">R290</a>
<b>Climate class</b>	<a href="#">N</a>
<b>Hűtőrendszer típusa</b>	<a href="#">száráz</a>
<b>Peak performance (l/h)</b>	<a href="#">35</a>
<b>Cooling power (l/h)</b>	<a href="#">25</a>
<b>Termikus gradiens <math>\Delta T(^{\circ}C)</math></b>	<a href="#">10</a>
<b>Number of taps</b>	<a href="#">2</a>
<b>Number of spirals</b>	<a href="#">2</a>
<b>Lenght of coils (m)</b>	<a href="#">09.szept</a>
<b>Diameter of coil (mm)</b>	<a href="#">8x0,5</a>
<b>Compressor capacity (Hp)</b>	<a href="#">08.jan</a>
<b>Net weight (kg)</b>	<a href="#">20</a>



