

Smart FV 135 | Hűtött faliregál

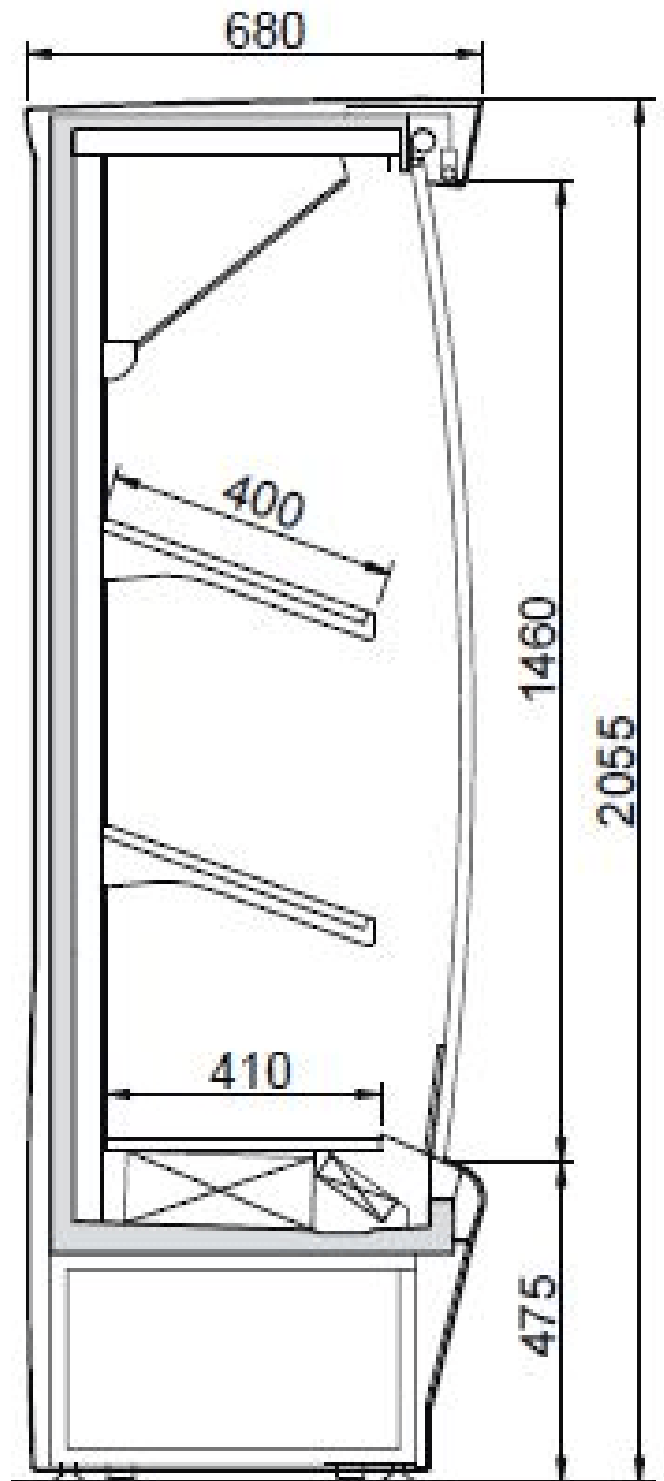
**SKU:** 11350

## **ADDITIONAL INFORMATION**

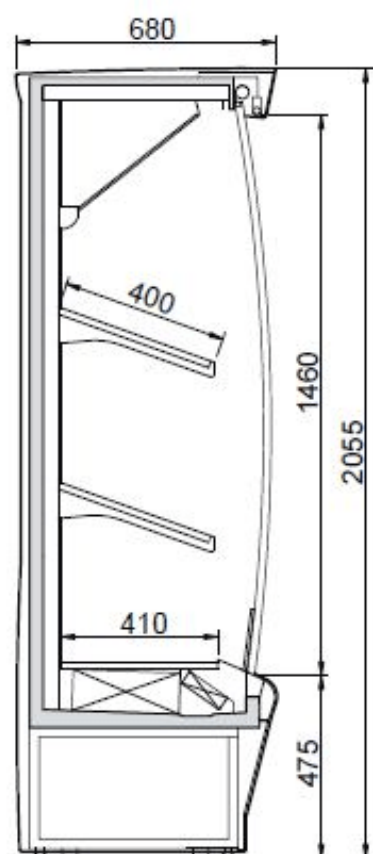
<b>Weight</b>	250 kg
<b>Dimensions</b>	710 × 1530 × 2250 mm
<b>Packaging dimension (Wi)</b>	<a href="#">1530</a>
<b>Packaging dimension (De)</b>	<a href="#">710</a>
<b>Packaging dimension (He)</b>	<a href="#">2250</a>
<b>External size (Wi)</b>	<a href="#">1330</a>
<b>External size (De)</b>	<a href="#">680</a>
<b>External size (Hi)</b>	<a href="#">2055</a>
<b>Gross weight (kg)</b>	<a href="#">250</a>
<b>Voltage (V/Hz)</b>	<a href="#">230/50</a>
<b>Net volume (l)</b>	<a href="#">403 dm<sup>3</sup></a>
<b>Energy class</b>	<a href="#">E</a>
<b>Refrigeration range (°C)</b>	<a href="#">+5.....+7</a>
<b>Refrigerant type</b>	<a href="#">R452A</a>
<b>Max. temperature and humidity (°C/%)</b>	<a href="#">+25°C, 60% Rh</a>
<b>Climate class</b>	<a href="#">3H1</a>
<b>Type of cooling</b>	<a href="#">dynamic</a>
<b>Number of shelves/basket</b>	<a href="#">2</a>
<b>Size of the shelf/basket size (mm)</b>	<a href="#">400</a>
<b>Lock</b>	<a href="#">no</a>
<b>Lighting</b>	<a href="#">horizontal</a>
<b>Type&amp;number of doors</b>	<a href="#">nincs</a>
<b>Feet, wheels</b>	<a href="#">láb</a>
<b>Casing colour (exterior/interior)</b>	<a href="#">trim RED - ext RAL9006 - int white</a>

<b>Automatic defrost</b>	<a href="#">van</a>
<b>Exposition part (m2)</b>	<a href="#">2,01</a>
<b>Available external colors</b>	<a href="#">RAL 1023,2004, 3020, 5019, 6018, 9018</a>
<b>Aggregate type</b>	<a href="#">beépített</a>
<b>Net weight (kg)</b>	<a href="#">230</a>





**GALLERY IMAGES**



RAL 1023	RAL 2004	RAL 3020
RAL 5019	RAL 6018	RAL 9016

## PRODUCT DESCRIPTION

Beépített aggregátos faliregál ventilációs hűtéssel. Fehér fényel megvilágított felépítmény felső tükörrel, 2 sor 400 mm mély billenthető és állítható magasságú polccal és két, egyenként 40 mm vastag panoráma oldalfallal.

A faliregál elektromos vezérlőpanellel, elektromos termosztáttal, cikluson kívüli automatikus leolvasztással, automatikus kondenzvíz elpárologtatással felszerelt.

## ADDITIONAL INFORMATION

<b>Weight</b>	250 kg
<b>Dimensions</b>	710 × 1530 × 2250 mm
<b>Packaging dimension (Wi)</b>	<a href="#">1530</a>
<b>Packaging dimension (De)</b>	<a href="#">710</a>
<b>Packaging dimension (He)</b>	<a href="#">2250</a>
<b>External size (Wi)</b>	<a href="#">1330</a>
<b>External size (De)</b>	<a href="#">680</a>
<b>External size (Hi)</b>	<a href="#">2055</a>
<b>Gross weight (kg)</b>	<a href="#">250</a>
<b>Voltage (V/Hz)</b>	<a href="#">230/50</a>
<b>Net volume (l)</b>	<a href="#">403 dm<sup>3</sup></a>
<b>Energy class</b>	<a href="#">E</a>
<b>Refrigeration range (°C)</b>	<a href="#">+5.....+7</a>
<b>Refrigerant type</b>	<a href="#">R452A</a>
<b>Max. temperature and humidity (°C/%)</b>	<a href="#">+25°C, 60% Rh</a>
<b>Climate class</b>	<a href="#">3H1</a>
<b>Type of cooling</b>	<a href="#">dynamic</a>
<b>Number of shelves/basket</b>	<a href="#">2</a>
<b>Size of the shelf/basket size (mm)</b>	<a href="#">400</a>
<b>Lock</b>	<a href="#">no</a>
<b>Lighting</b>	<a href="#">horizontal</a>
<b>Type&amp;number of doors</b>	<a href="#">nincs</a>
<b>Feet, wheels</b>	<a href="#">láb</a>
<b>Casing colour (exterior/interior)</b>	<a href="#">trim RED - ext RAL9006 - int white</a>
<b>Automatic defrost</b>	<a href="#">van</a>

<b>Exposition part (m2)</b>	<a href="#">2,01</a>
<b>Available external colors</b>	<a href="#">RAL 1023,2004, 3020, 5019, 6018, 9018</a>
<b>Aggregate type</b>	<a href="#">beépített</a>
<b>Net weight (kg)</b>	<a href="#">230</a>



