

Smart FV 250 | Hűtött faliregál

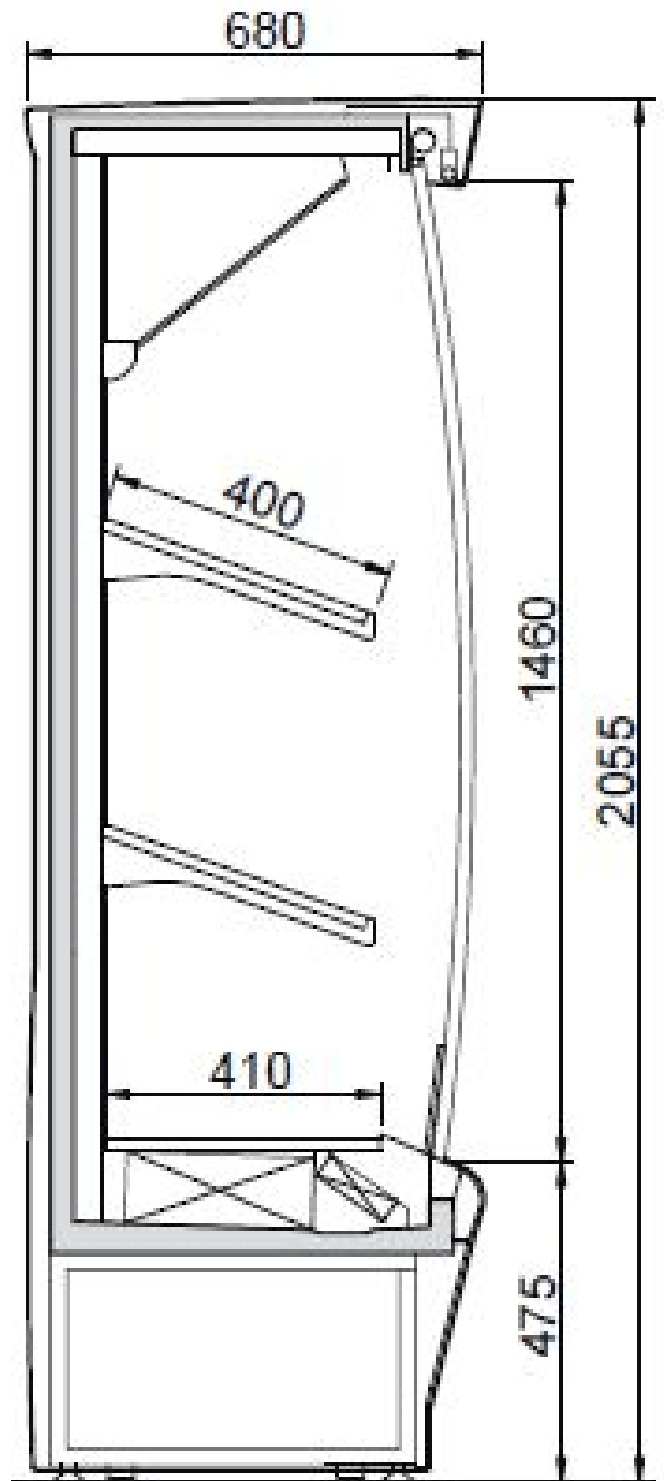
**SKU:** 11352

## **ADDITIONAL INFORMATION**

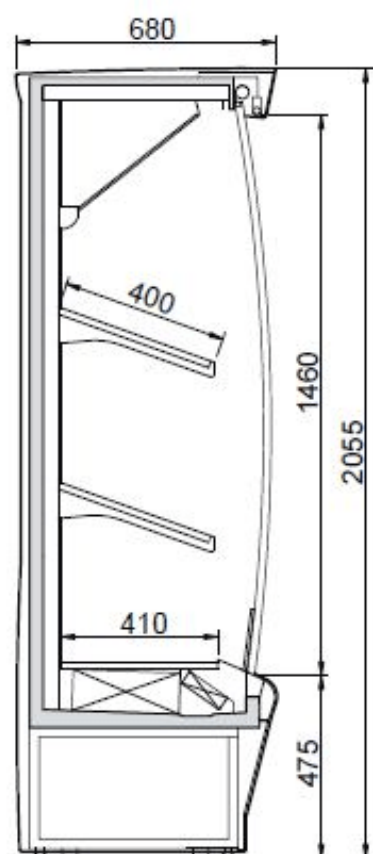
|   |  |
|---|--|
| <b>Weight</b>                               | 480 kg   |
| <b>Dimensions</b>                           | 710 × 2780 × 2250 mm                               |
| <b>Packaging dimension (Wi)</b>             | <a href="#">2780</a>                               |
| <b>Packaging dimension (De)</b>             | <a href="#">710</a>                                |
| <b>Packaging dimension (He)</b>             | <a href="#">2250</a>                               |
| <b>External size (Wi)</b>                   | <a href="#">2580</a>                               |
| <b>External size (De)</b>                   | <a href="#">680</a>                                |
| <b>External size (Hi)</b>                   | <a href="#">2055</a>                               |
| <b>Gross weight (kg)</b>                    | <a href="#">480</a>                                |
| <b>Voltage (V/Hz)</b>                       | <a href="#">230/50</a>                             |
| <b>Net volume (l)</b>                       | <a href="#">806 dm<sup>3</sup></a>                 |
| <b>Energy class</b>                         | <a href="#">E</a>                                  |
| <b>Refrigeration range (°C)</b>             | <a href="#">+5.....+7</a>                          |
| <b>Refrigerant type</b>                     | <a href="#">R452A</a>                              |
| <b>Max. temperature and humidity (°C/%)</b> | <a href="#">+25°C, 60% Rh</a>                      |
| <b>Climate class</b>                        | <a href="#">3H1</a>                                |
| <b>Type of cooling</b>                      | <a href="#">dynamic</a>                            |
| <b>Number of shelves/basket</b>             | <a href="#">2</a>                                  |
| <b>Size of the shelf/basket size (mm)</b>   | <a href="#">400</a>                                |
| <b>Lock</b>                                 | <a href="#">no</a>                                 |
| <b>Lighting</b>                             | <a href="#">horizontal</a>                         |
| <b>Type&amp;number of doors</b>             | <a href="#">nincs</a>                              |
| <b>Feet, wheels</b>                         | <a href="#">láb</a>                                |
| <b>Casing colour (exterior/interior)</b>    | <a href="#">trim RED - ext RAL9006 - int white</a> |

|                                  |   |
|----------------------------------|---|
| <b>Automatic defrost</b>         | <a href="#">van</a>                                   |
| <b>Exposition part (m2)</b>      | <a href="#">4,03</a>                                  |
| <b>Available external colors</b> | <a href="#">RAL 1023,2004, 3020, 5019, 6018, 9016</a> |
| <b>Aggregate type</b>            | <a href="#">beépített</a>                             |
| <b>Net weight (kg)</b>           | <a href="#">45,5</a>                                  |





## GALLERY IMAGES



|          |          |          |
|----------|----------|----------|
| RAL 1023 | RAL 2004 | RAL 3020 |
| RAL 5019 | RAL 6018 | RAL 9016 |

## PRODUCT DESCRIPTION

Beépített aggregátos faliregál ventilációs hűtéssel. Fehér fényel megvilágított felépítmény felső tükörrel, 2 sor 400 mm mély billenthető és állítható magasságú polccal és két, egyenként 40 mm vastag panoráma oldalfallal.

A faliregál elektromos vezérlőpanellel, elektromos termosztáttal, cikluson kívüli automatikus leolvasztással, automatikus kondenzvíz elpárologtatással felszerelt.

## ADDITIONAL INFORMATION

|   |  |
|---|--|
| <b>Weight</b>                               | 480 kg   |
| <b>Dimensions</b>                           | 710 × 2780 × 2250 mm                               |
| <b>Packaging dimension (Wi)</b>             | <a href="#">2780</a>                               |
| <b>Packaging dimension (De)</b>             | <a href="#">710</a>                                |
| <b>Packaging dimension (He)</b>             | <a href="#">2250</a>                               |
| <b>External size (Wi)</b>                   | <a href="#">2580</a>                               |
| <b>External size (De)</b>                   | <a href="#">680</a>                                |
| <b>External size (Hi)</b>                   | <a href="#">2055</a>                               |
| <b>Gross weight (kg)</b>                    | <a href="#">480</a>                                |
| <b>Voltage (V/Hz)</b>                       | <a href="#">230/50</a>                             |
| <b>Net volume (l)</b>                       | <a href="#">806 dm<sup>3</sup></a>                 |
| <b>Energy class</b>                         | <a href="#">E</a>                                  |
| <b>Refrigeration range (°C)</b>             | <a href="#">+5.....+7</a>                          |
| <b>Refrigerant type</b>                     | <a href="#">R452A</a>                              |
| <b>Max. temperature and humidity (°C/%)</b> | <a href="#">+25°C, 60% Rh</a>                      |
| <b>Climate class</b>                        | <a href="#">3H1</a>                                |
| <b>Type of cooling</b>                      | <a href="#">dynamic</a>                            |
| <b>Number of shelves/basket</b>             | <a href="#">2</a>                                  |
| <b>Size of the shelf/basket size (mm)</b>   | <a href="#">400</a>                                |
| <b>Lock</b>                                 | <a href="#">no</a>                                 |
| <b>Lighting</b>                             | <a href="#">horizontal</a>                         |
| <b>Type&amp;number of doors</b>             | <a href="#">nincs</a>                              |
| <b>Feet, wheels</b>                         | <a href="#">láb</a>                                |
| <b>Casing colour (exterior/interior)</b>    | <a href="#">trim RED - ext RAL9006 - int white</a> |
| <b>Automatic defrost</b>                    | <a href="#">van</a>                                |

|                                  |   |
|----------------------------------|---|
| <b>Exposition part (m2)</b>      | <a href="#">4,03</a>                                  |
| <b>Available external colors</b> | <a href="#">RAL 1023,2004, 3020, 5019, 6018, 9016</a> |
| <b>Aggregate type</b>            | <a href="#">beépített</a>                             |
| <b>Net weight (kg)</b>           | <a href="#">45,5</a>                                  |



