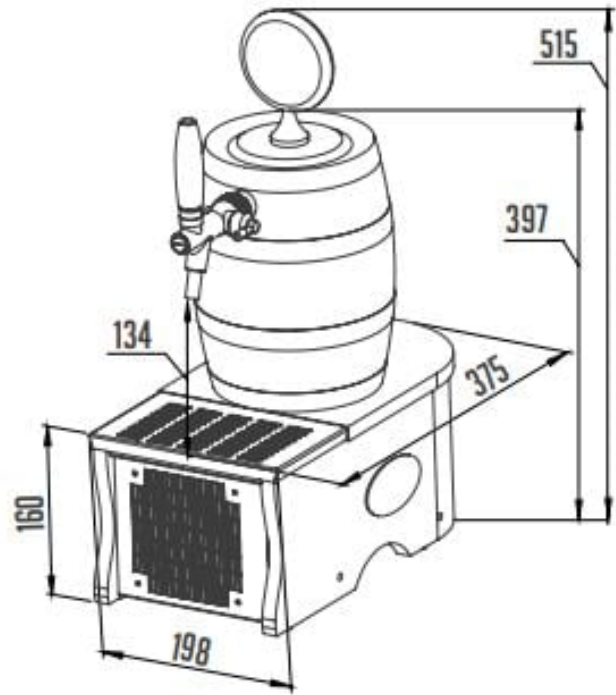


SOUDEK 20 Green Line new | Hordó típusú egykörös sörcsapoló (CO2)

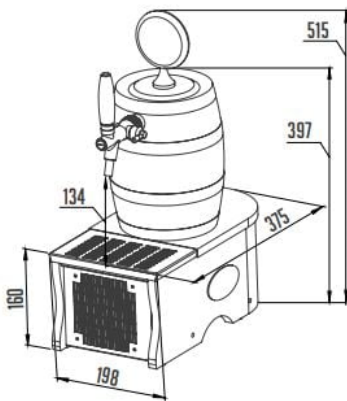
**SKU:** 5861

### **ADDITIONAL INFORMATION**

<b>Weight</b>	14,5 kg
<b>Dimensions</b>	430 × 260 × 470 mm
<b>Packaging dimension (Wi)</b>	<a href="#">260</a>
<b>Packaging dimension (De)</b>	<a href="#">430</a>
<b>Packaging dimension (He)</b>	<a href="#">470</a>
<b>External size (Wi)</b>	<a href="#">200</a>
<b>External size (De)</b>	<a href="#">375</a>
<b>External size (Hi)</b>	<a href="#">395</a>
<b>Gross weight (kg)</b>	<a href="#">145</a>
<b>Voltage (V/Hz)</b>	<a href="#">230/50</a>
<b>Power (W)</b>	<a href="#">253</a>
<b>Refrigeration range (°C)</b>	<a href="#">+2...+8</a>
<b>Refrigerant type</b>	<a href="#">R290</a>
<b>Climate class</b>	<a href="#">N</a>
<b>Hűtőrendszer típusa</b>	<a href="#">szárász</a>
<b>Peak performance (l/h)</b>	<a href="#">20</a>
<b>Cooling power (l/h)</b>	<a href="#">15</a>
<b>Termikus gradiens <math>\Delta T</math>(°C)</b>	<a href="#">10</a>
<b>Number of taps</b>	<a href="#">1</a>
<b>Number of spirals</b>	<a href="#">1</a>
<b>Lenght of coils (m)</b>	<a href="#">11</a>
<b>Diameter of coil (mm)</b>	<a href="#">8×0,5</a>
<b>Compressor capacity (Hp)</b>	<a href="#">08.jan</a>
<b>Net weight (kg)</b>	<a href="#">13</a>



## GALLERY IMAGES



MODEL	COOLING CAPACITY	AIR COMPRESSOR	NUMBER OF COOLED BEVERAGES	NET WEIGHT
SOUDEK 20	20 L/ HOUR	NO	1	13,5





## ADDITIONAL INFORMATION

<b>Weight</b>	14,5 kg
<b>Dimensions</b>	430 × 260 × 470 mm
<b>Packaging dimension (Wi)</b>	<a href="#">260</a>
<b>Packaging dimension (De)</b>	<a href="#">430</a>
<b>Packaging dimension (He)</b>	<a href="#">470</a>
<b>External size (Wi)</b>	<a href="#">200</a>
<b>External size (De)</b>	<a href="#">375</a>
<b>External size (Hi)</b>	<a href="#">395</a>
<b>Gross weight (kg)</b>	<a href="#">145</a>
<b>Voltage (V/Hz)</b>	<a href="#">230/50</a>
<b>Power (W)</b>	<a href="#">253</a>
<b>Refrigeration range (°C)</b>	<a href="#">+2...+8</a>
<b>Refrigerant type</b>	<a href="#">R290</a>
<b>Climate class</b>	<a href="#">N</a>
<b>Hűtőrendszer típusa</b>	<a href="#">szárász</a>
<b>Peak performance (l/h)</b>	<a href="#">20</a>
<b>Cooling power (l/h)</b>	<a href="#">15</a>
<b>Termikus gradiens <math>\Delta T</math>(°C)</b>	<a href="#">10</a>
<b>Number of taps</b>	<a href="#">1</a>
<b>Number of spirals</b>	<a href="#">1</a>
<b>Lenght of coils (m)</b>	<a href="#">11</a>

<b>Diameter of coil (mm)</b>	<a href="#">8×0,5</a>
<b>Compressor capacity (Hp)</b>	<a href="#">08.jan</a>
<b>Net weight (kg)</b>	<a href="#">13</a>



