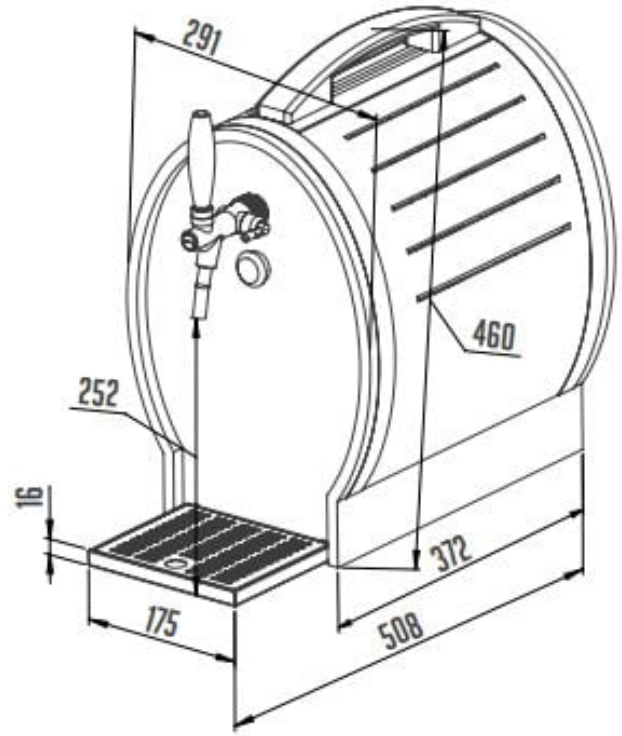


SOUDEK 35 Green Line new | Hordó típusú egykörös sörcsapoló beép. légkomp. (CO2)

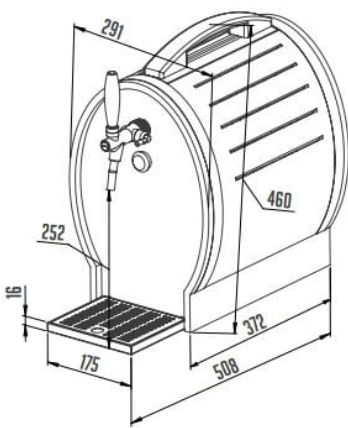
SKU: 8553

ADDITIONAL INFORMATION

Weight	23 kg
Dimensions	540 × 370 × 570 mm
Packaging dimension (Wi)	370
Packaging dimension (De)	540
Packaging dimension (He)	570
External size (Wi)	397
External size (De)	374
External size (Hi)	463
Gross weight (kg)	23
Voltage (V/Hz)	230/50
Power (W)	322
Refrigeration range (°C)	+2...+8
Refrigerant type	R290
Climate class	N
Hűtőrendszer típusa	szárász
Peak performance (l/h)	40
Cooling power (l/h)	35
Termikus gradiens ΔT(°C)	10
Number of taps	1
Number of spirals	1
Lenght of coils (m)	16,5
Diameter of coil (mm)	8×0,5
Compressor capacity (Hp)	08.jan
Net weight (kg)	19



GALLERY IMAGES





ADDITIONAL INFORMATION

Weight	23 kg
Dimensions	540 × 370 × 570 mm
Packaging dimension (Wi)	370
Packaging dimension (De)	540
Packaging dimension (He)	570
External size (Wi)	397
External size (De)	374
External size (Hi)	463
Gross weight (kg)	23
Voltage (V/Hz)	230/50
Power (W)	322
Refrigeration range (°C)	+2...+8
Refrigerant type	R290
Climate class	N
Hűtőrendszer típusa	szárász
Peak performance (l/h)	40
Cooling power (l/h)	35
Termikus gradiens ΔT(°C)	10
Number of taps	1
Number of spirals	1

Lenght of coils (m)	<u>16,5</u>
Diameter of coil (mm)	<u>8×0,5</u>
Compressor capacity (Hp)	<u>08.jan</u>
Net weight (kg)	<u>19</u>

